

2400 Watt SYSTEM



FORTY HIGH EFFICIENCY POLYCRYSTALLINE BUILDING INTEGRATED PHOTOVOLTAIC SOLAR SHINGLES



LUMA RESOURCES SOLAR SHINGLE (LRSS)

A solar roofing system designed for steep sloped applications, where the solar shingles are the roof. Custom flashing frames the system and transitions the solar shingles into other roofing products. Underneath the solar shingle there is space for air flow and wire harnessing.

SYSTEM INCLUDES

- | | |
|---|---|
| ● 40 Solar Shingles with quick connectors | ● Easy grounding with ground wire & diagram |
| ● Inverter with online monitoring | ● Flashing; allows any other surrounding roof |
| ● Wire harness & electrical diagram | ● Transition box |

SPECIFICATIONS IN D.C. WATTS

Electrical Performance under Standard Test Conditions (STC)

● 40 LRSS in series: Number of strings	1	● Max System Voltage	DC 600 V
● Maximum Power (Pmax)	2400 W	● Temperature Coefficient of Voc	-0.34% / °C
● Maximum Power Voltage (Vmp)	323.2	● Temperature Coefficient of Isc	0.09% / °C
● Maximum Power Current (Imp)	7.55 A	● Power Temperature Coefficient	-0.37% / °C
● Open Circuit Voltage (Voc)	392 V	● Power Tolerance Range	+/- 3%
● Short Circuit Current (Isc)	8.11 A	● Series Fuse (ADC)	15 amp

AC INVERTER

PV powered inverter featuring PVP 2500

● Continuous Output Power (watts)	2500	● Integrated AC and DC PV System Disconnect
● CEC Weighted Efficiency:	94.5%	● 10 Year Residential Nationwide Warranty
● DC Operating Range:	140V-450V	● Endurance tested to 20 year operating life
● Maximum DC Input Voltage (VOC)	500	● PVM1010 Data Monitoring Module
● Weight with Disconnect	106.5 lbs	48.31 kg

FLASHING KIT 2458 or 24410

Flashing kit 2458 (5 LRSS wide 8 up the slope)

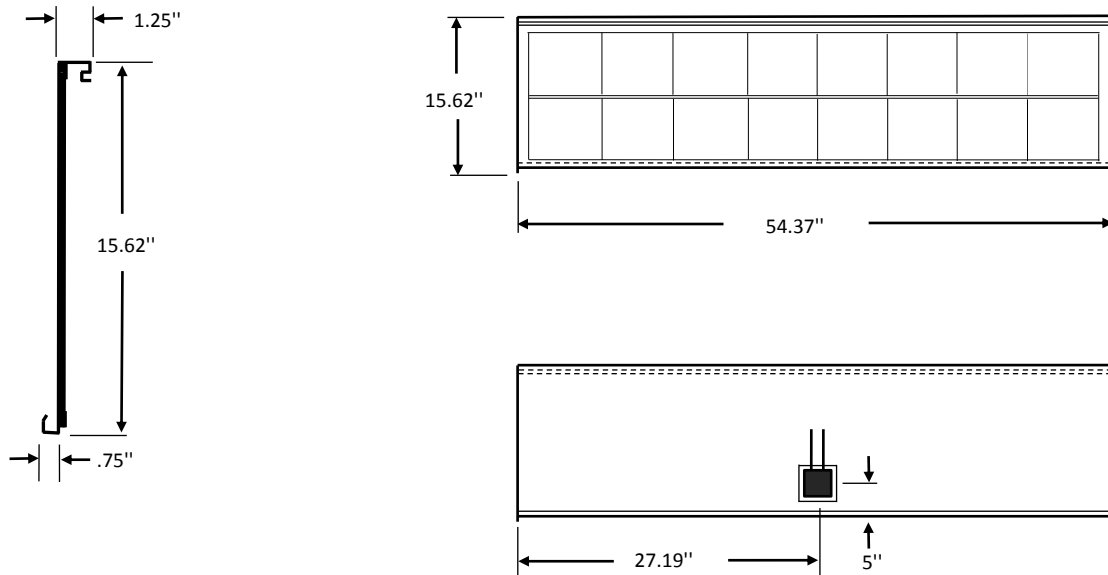
● Width	23.75 ft.	7.24 m
● Height	11.6 ft.	3.54 m
● Area	275.5 ft. ²	25.63 m ²
● Weight with 40 LRSS	1088	493 kg

Flashing kit 24410 (4 LRSS wide 10 up the slope)

● Width	19.2 ft.	5.85 m
● Height	14 ft.	4.27 m
● Area	268.8 ft. ²	24.98 m ²
● Weight with 40 LRSS	1092	495 kg

PHYSICAL SPECIFICATIONS

LRSS



LIMITED WARRANTY

Product warranty

- 5 Year Limited warranty on materials and workmanship
- 25 Year on Power Output

Manufacturer's power warranty:

- Coverage on power degradation greater than 90% for 10 years.
- Coverage on power degradation greater than 80% for 25 years.

The warranties do not cover damages due to:

- Malfunctions or service failures caused by obvious abuse or misuse.
- Power failure surges, lightning, fire, flooding, etc...
- Action of third parties and other events or accidents beyond reasonable control and not occurring under normal operating conditions.

EXAMPLE OF A 2400 DC WATT KIT



LUMA Resources, LLC.,
2691 Leach Rd. Rochester Hills, MI. 48309, U.S.A.
Phone: +1 888 733 5862. Fax: +1 248 852 7122
www.lumaresources.com