

7200 Watts SYSTEM



120 HIGH EFFICIENCY POLYCRYSTALLINE BUILDING INTEGRATED PHOTOVOLTAIC SOLAR SHINGLES



LUMA RESOURCES SOLAR SHINGLE (LRSS)

A solar roofing system designed for steep sloped applications, where the solar shingles are the roof. Custom flashing frames the system and transitions the solar shingles into other roofing products. Underneath the solar shingle there is space for air flow and wire harnessing.

SYSTEM INCLUDES

- | | |
|--|---|
| ● 120 Solar Shingles with quick connectors | ● Easy grounding with ground wire & diagram |
| ● Inverter with online monitoring | ● Flashing; allows any other surrounding roof |
| ● Wire harness & electrical diagram | ● Transition box |

SPECIFICATIONS IN D.C. WATTS

Electrical Performance under Standard Test Conditions (STC)

● 120 LRSS in series: Number of strings	3 of 40	● Max System Voltage	DC 600 V
● Maximum Power (Pmax)	7200 W	● Temperature Coefficient of Voc	-0.34% / °C
● Maximum Power Voltage (Vmp)	323.2 V	● Temperature Coefficient of Isc	0.09% / °C
● Maximum Power Current (Imp)	22.65 A	● Power Temperature Coefficient	-0.37% / °C
● Open Circuit Voltage (Voc)	392 V	● Power Tolerance Range	+/- 3%
● Short Circuit Current (Isc)	24.33 A	● Series Fuse (ADC)	15 amp

AC INVERTER

Sunny Boy Inverter featuring 6000US

● Continuous Output Power (watts)	6000	● AC and DC PV System Disconnect	
● CEC Weighted Efficiency:	96.0%	● Warranty 10 years with an opt for 15 years or 20 years	
● MPP voltage range	250V-480V	● Display: text line / graphic	
● DC nominal range	310 V	● Weight with Disconnect	151 lbs 67.5 kg
● Maximum DC Input Voltage (VOC)	600		

FLASHING KIT 72815 or 721012

Flashing kit 72815 (8 LRSS wide 15 up the slope)

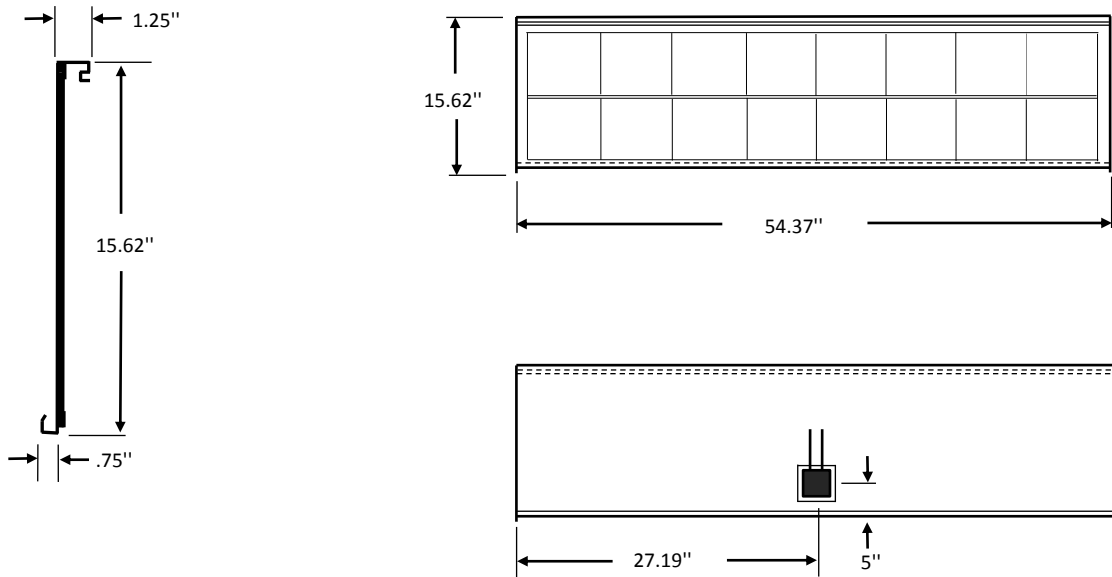
● Width	37.4 ft.	11.4 m
● Height	20 ft.	6.1 m
● Area	748 ft. ²	69.54 m ²
● Weight with 120 LRSS	3021 lbs	1370 kg

Flashing kit 721012 (10 LRSS wide 12 up the slope)

● Width	46.5 ft.	14.17 m
● Height	16.4 ft.	5 m
● Area	762 ft. ²	7.85 m ²
● Weight with 84 LRSS	3021 lbs	1370 kg

PHYSICAL SPECIFICATIONS

LRSS



LIMITED WARRANTY

Product warranty

- 5 Year Limited warranty on materials and workmanship
- 25 Year on Power Output

Manufacturer's power warranty:

- Coverage on power degradation greater than 90% for 10 years.
- Coverage on power degradation greater than 80% for 25 years.

The warranties do not cover damages due to:

- Malfunctions or service failures caused by obvious abuse or misuse.
- Power failure surges, lightning, fire, flooding, etc...
- Action of third parties and other events or accidents beyond reasonable control and not occurring under normal operating conditions.

EXAMPLE OF A 7200 DC WATT KIT



LUMA Resources,LLC.,
2691 Leach Rd. Rochester Hills, MI. 48309, U.S.A.
Phone: +1 888 733 5862. Fax: +1 248 852 7122
www.lumaresources.com